

Flatman XXL Monitor

32" up to 65" in full metal housing as stand alone device
with or without Touch

Technical Information:

Display size	32"	42"	55"	65"	65"
Display manufacturer	LG	AUO	AUO	AUO	AUO
Display type	LD320EUN-SEM1	P420HVN03.1	P550HVN02.2	P650HVN03.0	P650HVN04.0
Resolution	1920x1080, Full HD	1920x1080, Full HD	1920x1080, Full HD	1920x1080, Full HD	1920x1080, Full HD
Format	16:9	16:9	16:9	16:9	16:9
Contrast ratio	1300:1	4000:1	4000:1	4000:1	4000:1
Brightness	400cd/m ²	700cd/m ²	500cd/m ²	500cd/m ²	700cd/m ²
Angle View	178°/178°	178°/178°	178°/178°	178°/178°	178°/178°
Colors	16.7million	16.7million	16.7million	16.7million	16.7million
LED Lifetime (> 50%, 25°C)	50.000h	50.000h	50.000h	50.000h	50.000h
Dimensions (WxHxD, mm)	780x475x96.5	1050x640x132	1302x787x145	1547x931x181.5	1547x931x181.5
Weight	~ 20kg	~ 40kg	~ 60kg	~ 75kg	~ 75kg
Touch Options ⁽¹⁾	Protection glass / IR-touch (*)				
Mounting Option	full metal housing				
Fastening	VESA 200/200 or 200/up to 600		VESA 200/400	VESA 200-600/200-1000	
Color	RAL 7021 (black anthracite)				

⁽¹⁾ The infrared touch (IR touch screen) works similarly to a " light barrier " . This is just above the display surface . It is the only touch screen , where no direct contact with the display is necessary . Benefit: The IR Touch is backed by a reflective safety glass whereas by this the performance of the touch screen is not reduced . Thus, it is virtually vandal proof . The IR touch screen can be operated with fingers , gloves and all other items. It is very robust and works well in an extended temperature range , as well as under vibration and shock.

Video In ⁽²⁾	1x DVI, 1x Display Port
I/O Option ⁽²⁾	USB2.0 (Type A)
Power Supply ⁽²⁾	Input 90 ~ 264VAC, 47 ~ 63Hz
Cooling	Fanless passive cooling
Operating Temperature	0°C - 45°C ambient
Humidity	10%-90% @ 39°C, non condensing
Certification	CE
Protection class	IP54
EMC	EN55022 class A

⁽²⁾ The connections for power and interfaces are brought to the outside of device with a lead-through (IP65) and max. cable length of 2,5m.
(cable length up to 4,5m on demand)

Order Information

32"	F6320LBT0xxxx ⁽³⁾
42"	F6420AUT0xxxx ⁽³⁾
55"	F6550AUT0xxxx ⁽³⁾
65"	F6650AUT0xxxx ⁽³⁾

⁽³⁾ xxxx is an internal configuration code for any options (Panel PC, Monitor, IR Touch, Protection glass,...)

Ask our sales department for details.

Flatman XXL Monitor

32" up to 65" in full metal housing as stand alone device with or without Touch



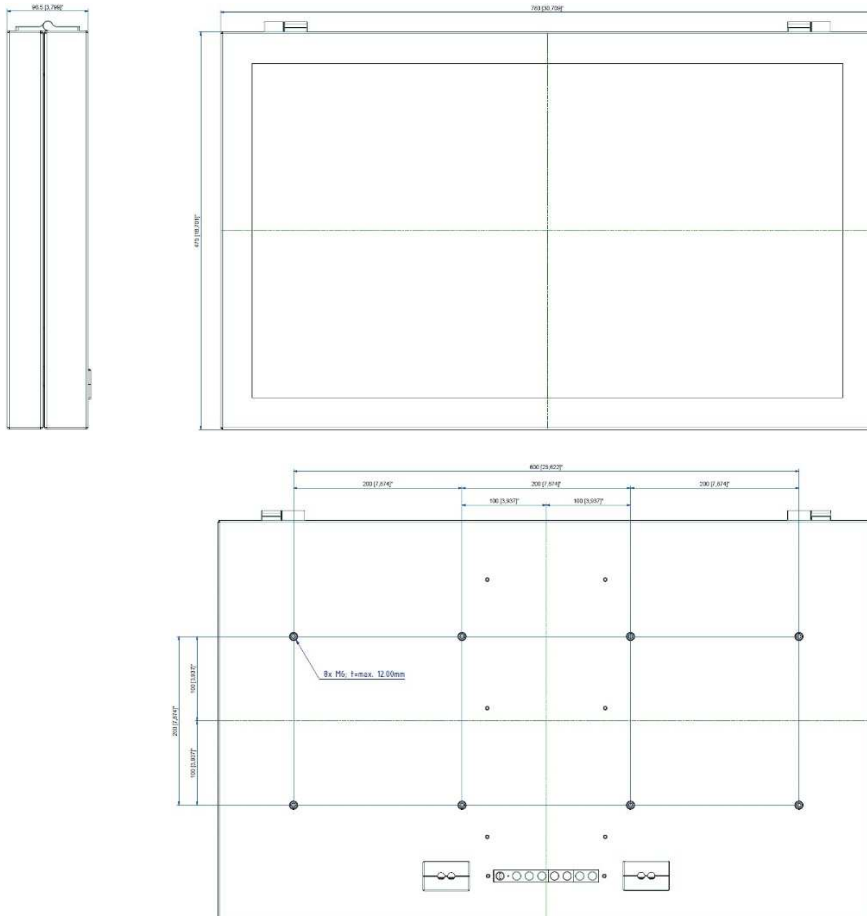
Cable lead-through for power and interface cable

Flatman XXL Monitor

32" up to 65" in full metal housing as stand alone device with or without Touch

Dimension Drawings

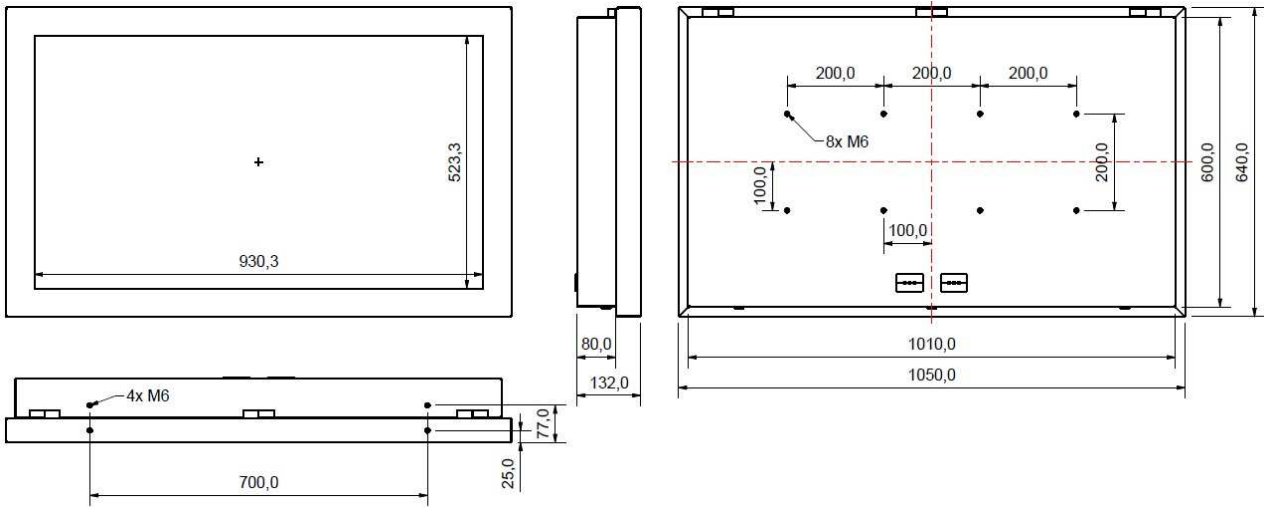
32" full metal



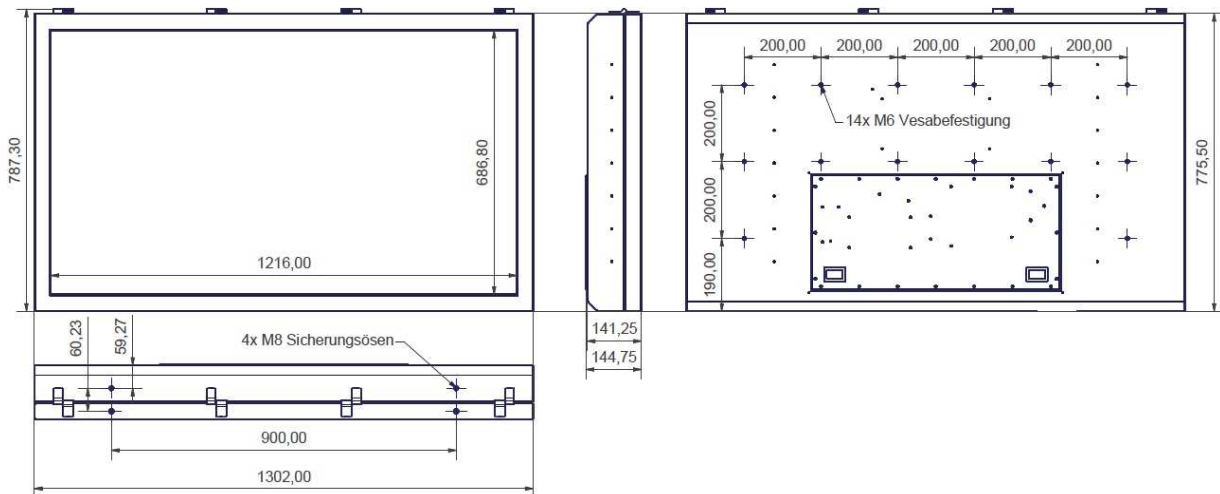
Flatman XXL Monitor

32" up to 65" in full metal housing as stand alone device with or without Touch

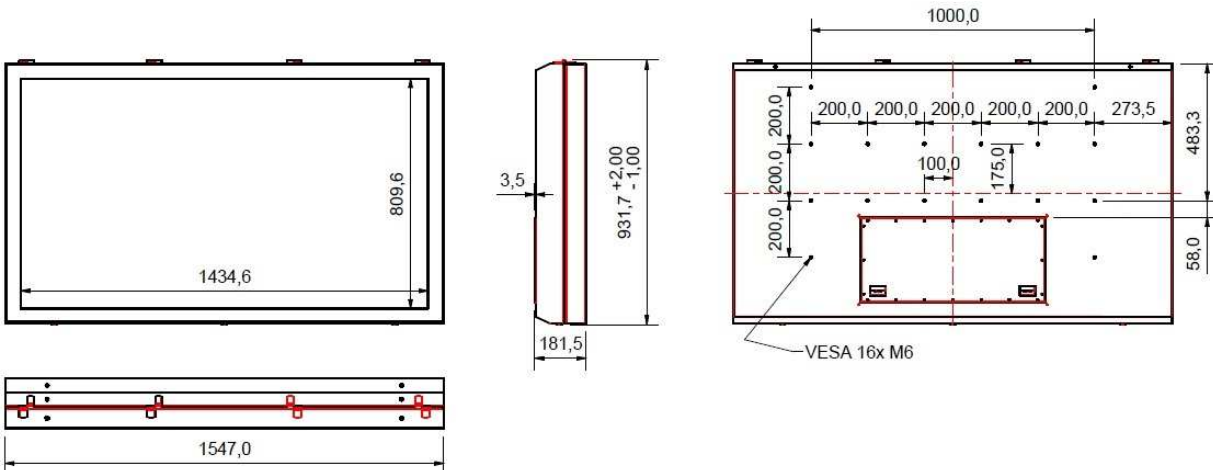
42" full metal



55" full metal



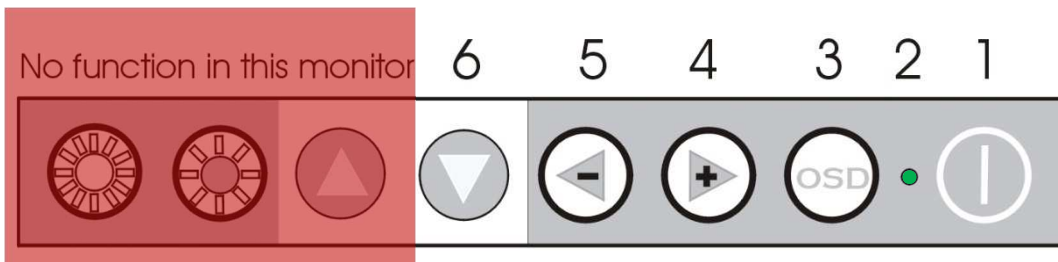
65" full metal



Flatman XXL Monitor

32" up to 65" in full metal housing as stand alone device
with or without Touch

OSD Keypad



With the self explaining OSD (On Screen Display) you can modify the settings and control the special features of the CRTtoLCD-Controller. The OSD uses a number of menus for making changes and turning the special features on or off. The configuration can be done via the OSD-keypad

1. Power Switch	Power switch
2. LAMP LED	Power LED
3. OSD menu / select →	Pressing this button pops up the OSD menu on the screen. Add used to select the OSD control options on the screen
4. Adjust (increase +)	This button is used to adjust the increasing value of selected
5. Adjust (decrease -)	This button is used to adjust the decreasing value of selected
6. Auto adjust / select ←	Select this function to obtain the best display efficiency. OSD Windows display is function selection

LED Power indicator

LED	function
off	No Power
green	active
yellow	Standby